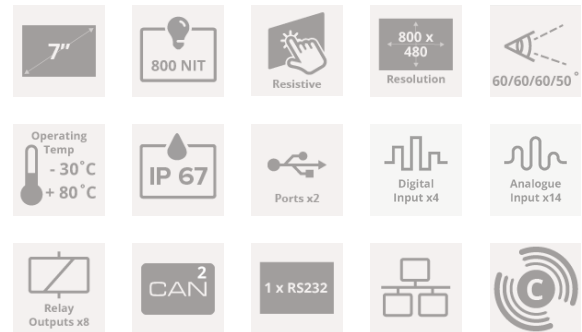


CANvu™ 700

7" Colour Touch Screen Display



Technical Data



Introduction

The largest display in the CANvu range with a hi-resolution 7-inch touch-screen customisable colour display. The screen size allows developers to bring together easy to read information via a simple to operate, powerful rugged interface. The CANvu 700 uses the proven Freescale iMX286 processor.

The WVGA (800x480) TFT LCD colour display can be viewed in full sunlight and has the potential for multiple screens to be displayed via user defined touch screen buttons. The complete unit is sealed to meet IP standards 66 (front) & 67 (rear).

It meets the need for tough, flexible instrumentation that will handle the harshest environments and where a larger display is essential. Custom applications to be rapidly created using the CANvu software development kit (SDK), and the display can be integrated into a control system using its data logging capacity, and alarm functionality.

Key Features

- 2 x CANbus, 1 x RS232 Connection
- 14 x Analogue & 4 Digital Inputs
- 8 x Relay Outputs
- USB ports support Data Retrieval
- Wi-Fi Telematics Compatible
- Ruggedised Display
- J1939/NMEA 2000/Tier 4 Support
- IP66 Front & IP67 Rear

ADDRESS

CANtronik Limited, 4A Factory Road,
Upton, Poole, Dorset, BH16 5SJ, UK

+44 (0) 1202 973023

info@cantronik.com



CANvu™ 700

7" Colour Touch Screen Display

Reliability

CANvu products continue to be successfully deployed in an enormously diverse range of applications where total reliability is vital.

All CANtronik products, bespoke or standard range are backed up by a dedicated central team of specialist engineers able to rapidly adapt any product for a specific application and to provide an unrivalled level of customer support.

The CANvu displays are also supported with a return to base extended 24-month Manufacture warranty against mechanical failure or material defects.

Software

Our SDK is offered for a one-off licence fee from which customers can develop their own bespoke application solution. Available are optional plugins for CANopen, J1939, NMEA 2000, and support hours are included should your engineers need any help along the way.

Alternatively, CANtronik can develop bespoke software to your specification using our experienced in house engineers.

Over the years our engineers have developed software for our displays to run rock crushers & mining machinery, measure performance of spraying equipment, acting as battery monitors, boat gyro stabilisers, plus many more including military and aerospace applications.

Also available is our CANvu™ Engine Monitor standard software for Industrial and Marine, which can be pre-loaded to our displays receiving and displaying J1939 engine and transmission data, including common Tier4 parameters, with active alarms (from DM1) & NMEA 2000 data, where supported.

Accessories

- Cable Harnesses
- Protective Sun Covers
- Mounting Kits
- Branding - Labels & Boxes

ADDRESS

CANtronik Limited, 4A Factory Road,
Upton, Poole, Dorset, BH16 5SJ, UK

+44 (0) 1202 973023

info@cantronik.com



CANvu™ 700

7" Colour Touch Screen Display

Specifications

Hardware	
CPU	Processor is Freescale iMX 286, running 454 MHz
Flash Memory	128 MB NAND
SDRAM	128 MB
Electrical	
Display	a-Si TFT LCD 7.0"
Resolution	800 (H) x 480 (V) WVGA
Active Area	152.40mm (H) x 91.44mm (V)
Viewing Angle	60 degrees left/right/down 50 degrees up
Number of Colours	262K
Contrast Ratio	400:1
Brightness	800 NIT (cd/m2) Full sunlight readable
Power Requirements	10V to 32V DC
Sounder	Internal Buzzer
Connection	(3) 12 Pin Deutsch DT04-12PA Moulded in Receptacle
Communications	1 X RS232, 2 X CAN Bus 2.0B (1 isolated), 2 x USB 2.0, Ethernet
Environmental	
Operating Temperature	-30 to +80 Degrees Celsius
Storage Temperature	-40 to +80 Degrees Celsius
Degree of Protection	IP 66 front IP 67 back
Mechanical	
Case Material	ABS
Case Colour	Anthracite Grey
Dimensions	205mm (W) x 157mm (H) x 30mm forward and 28mm rear (D)
Part Number	
900700	CANvu™ 700 - 7" Colour Touch Screen Display

ADDRESS

CANtronik Limited, 4A Factory Road,
Upton, Poole, Dorset, BH16 5SJ, UK

+44 (0) 1202 973023

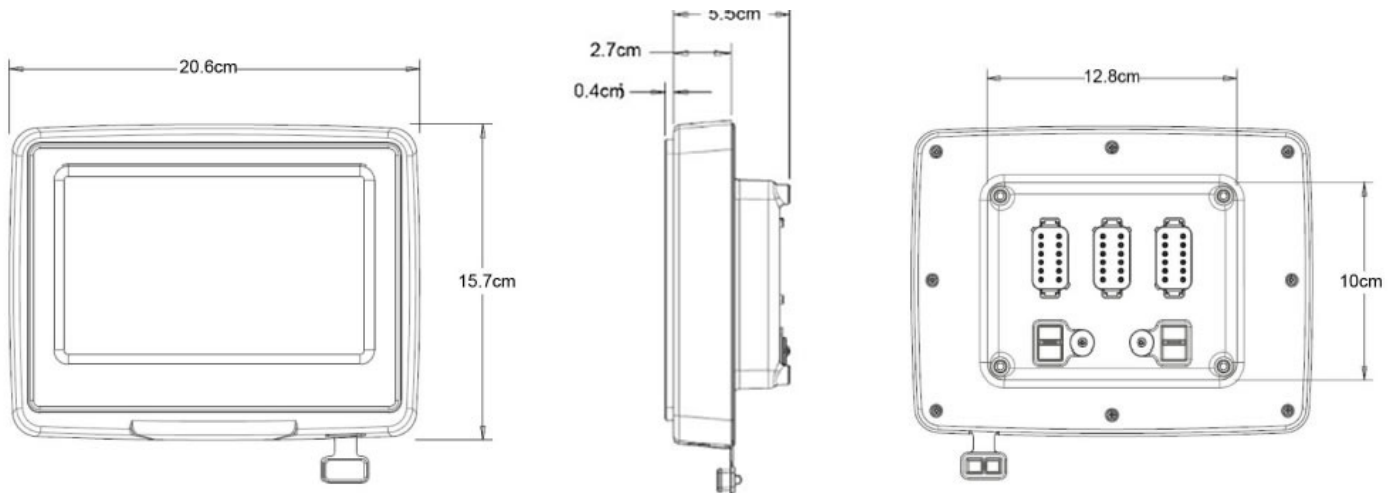
info@cantronik.com



CANvu™ 700

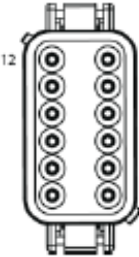
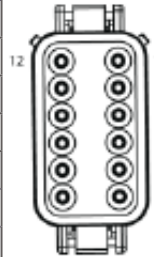
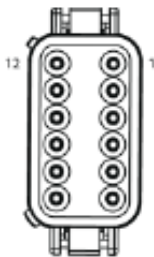
7" Colour Touch Screen Display

Dimensions



Connectors

Primary		Secondary		Tertiary	
1	Ground	1	Sensor 1 Analog Input	1	Sensor 8 Analog Input
2	Ground & Power ¹	2	Sensor 2 Analog Input	2	Sensor 9 Analog Input
3	Relay/Solenoid Output 1	3	Sensor 3 Analog Input	3	Sensor 10 Analog Input
4	Relay/Solenoid Output 2	4	Sensor 4 Analog Input	4	Sensor 11 Analog Input
5	Isolated CAN Supply (-)	5	Sensor 5 Analog Input	5	Sensor 12 Analog Input
6	Isolated CAN Supply (+)	6	Sensor 6 Analog Input	6	Sensor 13 Analog Input
7	Isolated CAN Data H	7	Sensor 7 Analog Input	7	Sensor 14 Analog Input
8	Isolated CAN Data L	8	Digital Input/Flow Sensor 1	8	Digital Input/Flow Sensor 3
9	Relay/Solenoid Output 3	9	Digital Input/Flow Sensor 2	9	Relay/Solenoid Output 5
10	Relay/Solenoid Output 4	10	Tachometer Input	10	Relay/Solenoid Output 6
11	Primary CAN Data L	11	RS232 Receiver	11	Relay/Solenoid Output 7
12	Primary CAN Data H	12	RS232 Transmit	12	Relay/Solenoid Output 8



Note 1. (10-32V DC) Supply should be protected by 1A - Rated circuit breaker/fuse

ADDRESS

CANtronik Limited, 4A Factory Road,
Upton, Poole, Dorset, BH16 5SJ, UK

+44 (0) 1202 973023

info@cantronik.com

