

CANvu 400/401



Pedigree and Flexibility

Now in its 4th generation of hardware, the CANvu 400 and 401 multi-function intelligent display have been sold to hundreds of industrial and marine customers. With tens of thousands in service worldwide they are probably the most highly tested and widely used commercially available marine and industrial displays in use today. With a rugged design and very high levels of environmental, electrical and EMC testing levels achieved, it is easy to understand why.

This latest generation hardware now has support for 16 grey-scales (previously only 3) which greatly enhances the graphics and a much faster processor to increase frame rates from 4-5 to over 24 and also adds a configurable analogue input.

The graphical user interface is easily configured using a completely updated and more powerful Software Developers Kit (SDK) or as an Engine Monitor.

The CANvu 400 family of displays have become invaluable in an extremely wide range of applications, from weather stations to machines literally at the coal face, boat engine displays to performance monitoring on rock crushers and many, many more diverse applications.

The CANvu 400 family is also the market leading universal Engine Monitoring display with dedicated software specifically designed to work with the new breed of electronic controlled engines. With full DM1 and DM2 alarm management as well as multiple languages and configurable display formats.

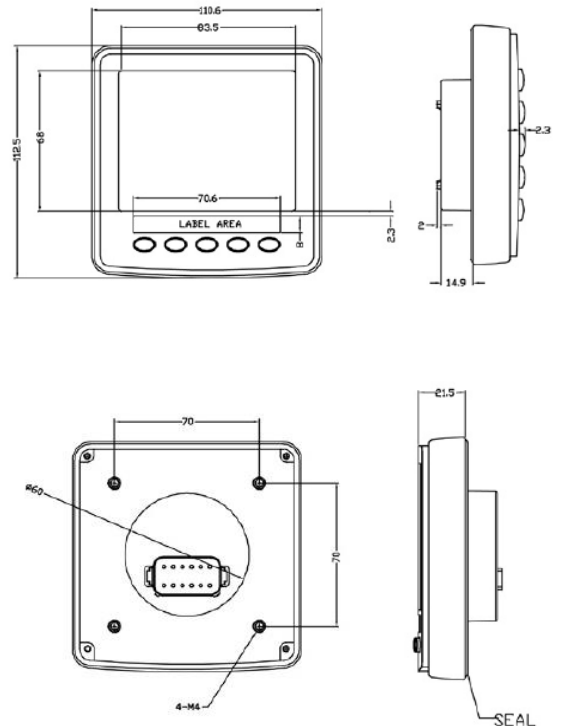
All CANtronik products are backed up by a dedicated and highly experienced team of software engineers, ready to draw up specifications for custom software, undertake the work, test the code and deliver fully functioning products.

Highlights

- > Graphical high resolution FSTN silver backed LCD – gets brighter in direct sunlight and variable backlight for low light conditions. Automatic and manual contrast adjustment.
- > 3 independent serial Comms ports that can be used together if required CAN bus, RS232 and RS485.
- > Software Developers Kit that provides a huge library of functions that allows programmers full control over all the displays hardware.
- > Extremely rugged ABS case sealed to IP67 – up to 1 metre underwater.
- > Fully sealed moulded in 12 way Deutsch connector plus Mini-USB port for super-fast software uploads. Optional harnesses or connector kits.
- > Special low temp option with heated LCD module CANvu™ 401 down to -40°C.
- > Multiple accessed screens via illuminated user defined tactile soft- keys with positive internal sounder feedback.
- > Easy to brand with front labels as well as company logos on start-up screens.
- > Can act as part of a control system, not just as a display and/or data logger.
- > Front, rear and trunnion mounting options.
- > 401 only, 500mA output driver.
- > CE Approved.

Hardware	
Micro Controller Unit	ARM Cortex M3 – 120MHz (integrated memory below)
FLASH Memory	512K bytes
RAM	128K bytes
EEPROM	2K bytes in the 401 and 2K bytes + 32K bytes in the 401
Electrical	
Display	Transflective FSTN
Resolution	160 x 128 pixel
Power Requirements	10 to 32 VDC supply (reverse polarity protected)
Power Consumption	40mA (backlight off) 160mA (backlight on) at 12VDC
Sounder	4kHz Internal sounder
External Output	Open collector, internal driver (CANvu 401 only) 500mA
Wiring Protection	Polarity reverse protected (Fuse must be included)
Connection	Integral Deutsch 12 way connector (DT04-12PA)
Communications	Full CAN 2.0B controller/ port. RS232/ RS422. RS485
Environmental	
Operating temperature	CANvu 400 -25°C to + 75°C (-13°F to 167°F) CANvu 401 -- 40°C to + 75°C (-40°F to 167°F)
Storage Temperature	-40°C to + 80°C (-40°F to 176°F)
Degree of Protection	P67
Salt Spray	IEC 60068-2-52: 1996
EMC	EC 61000 and EN55022
Mechanical	
Case material	ABS housing and acrylic lens
Case colour	Anthracite Grey
Dimensions	110mm x 110mm x 38.5mm deep (4.33" x 4.33" x 1.5") without connector
Depth front Mount	21.5mm (0.85") forward protrusion, 17mm (0.7") rear protrusion without connector
Depth Rear Mounted	34mm (1.4") rear protrusion without connector
Panel Cut Out	Front mount 64mm (2.52") dia. hole with 4 mount holes, 4.3mm (0.17") dia.
Rear Mount	103mm (4") x 105mm (4.1") cut out (fitting kit required)
Part Number	
900400	CANvu™ 400
900401	CANvu™ 401

Dimensions



Connectors

CONNECTOR	
1	Power -ve
2	Power +ve
3	RS232 TX (+)
4	RS232 TX (-)
5	RS232 RX (-)
6	RS232 RX (+)
7	CAN LO
8	CAN HI
9	J1708 / J1587A
10	J1708 / J1587B
11	Switched Output (401 only)
12	Analogue Input *NEW*