

CANvu™ Gauges

Direct Connect Serial Gauges
 J1939 Protocol



Direct Connect Serial Gauges

This line of J1939 compliant, CAN-based analog instruments provide excellent visibility, and with the readability of digital technology. These rugged, yet stylish gauges, are built to survive the demands of off-road and on-road vehicles as well and are completely sealed to meet IP67 immersion standards and include an anti-fog coating on the inside of the lens to virtually eliminate fogging. The domed glass lenses minimise reflections, also allowing moisture to run off.

These compact, easy to install gauges are available in 3" and 2" sizes, and in standard black or white dial colours with chrome plated bezels. Custom styles, colours and CAN protocols are also available.

LED light piping distributes light evenly behind the translucent dial and the pointer shaft to maximize night visibility. Keyed housing locks the gauge into dashboards precisely and easily, and the gauges are designed and manufactured to the highest standards to meet a full range of specifications from temperature and shock, to humidity and overvoltage requirements. The electrical movements are magnetically shielded to eliminate electrical interference and are CE certified. Silicone dampening minimizes pointer bounce caused by vibrations in harsh industrial environments and reverse polarity protection is designed into every CANtronik electrical instrument.

Features and Benefits

- > Serial gauges display high accuracy engine and vehicle data.
- > Gauges directly wire to the J1939 CAN bus without another device to drive them.
- > Multiple bezel and graphic options.
- > Fully sunlight readable LCD on tachometer displays all available data and alarms.
- > Gauges are sealed to IP67 immersion standards and include anti-fog coating on the inside of the lens to minimise fogging.
- > CAN bus connectivity – Plug and play connectors
- > LED back-lighting evenly directs light behind the dial and pointer for excellent night visibility.
- > 2" gauges are driven by a smooth stepper motor operation for 370 degrees sweep pointer while the 3" gauges utilise the CANvu air core movement to meet the demands of industrial applications.

Technical specifications

- UV Protected Ploymers
- DC Voltage Supply: 8-16v DC
- DC Protection:
Reverse Polarity, Thermal Overload and Short Circuit
- Storage temperature: -20 to +70 degrees Celcius
- Operating temperature: -40 to +85 degrees Celsius

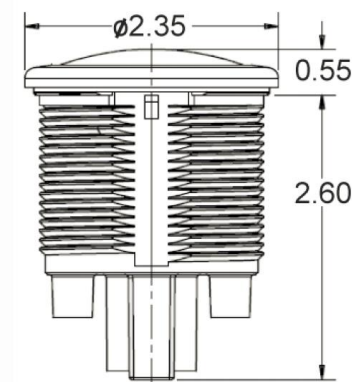
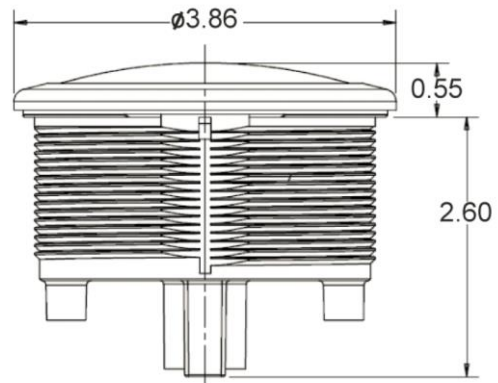
Parameters Supported

- > Engine Temperature
- > Air Temperature
- > Exhaust Temperature
- > Oil temperature
- > Water Temperature
- > Oil Pressure
- > Water Pressure
- > Transmission Oil Temp
- > Transmission Oil Pressure
- > Coolant Pressure
- > Oil Temperature
- > Battery Voltage
- > Boost Pressure
- > Oil Level
- > Tank Level
- > Engine RPM
- > Engine Load
- > Auxiliary Temperature
- > DPF Level
- > DPF Ash Load
- > DPF Soot Level
- > Coolant Level
- > Coolant Pressure
- > Manifold Pressure

Alarms:

- > Water in Fuel
- > Low Engine Oil Pressure
- > Low Fuel Level
- > Low System Voltage
- > High System Voltage
- > DPF Level Alarms
- > DEF Level Alarms

Dimensions



Part	Description	Range	Size
940596	Tachometer	0-5000	3"
940590	Tachometer	0-3000	2"
940582	Voltmeter	10-16V DC	2"
940583	Voltmeter	20-32V DC	2"
940584	Fuel Primary	E-F	2"
940595	Fuel Secondary	E-F	2"
940586	Oil Pressure	0-125 PSI	2"
940587	Turbo Boost	0-60 PSI	2"
940588	Transmission Oil Temperature	100-320°F	2"
940585	Temperature	100-240°F	2"
940591	Hydraulic Oil Temperature	100-320°F	2"
940592	Hydraulic Oil Pressure	0-125 PSI	2"
940593	Auxiliary Temperature 1	50-200°F	2"
940594	Auxiliary Temperature 2	50-200°F	2"