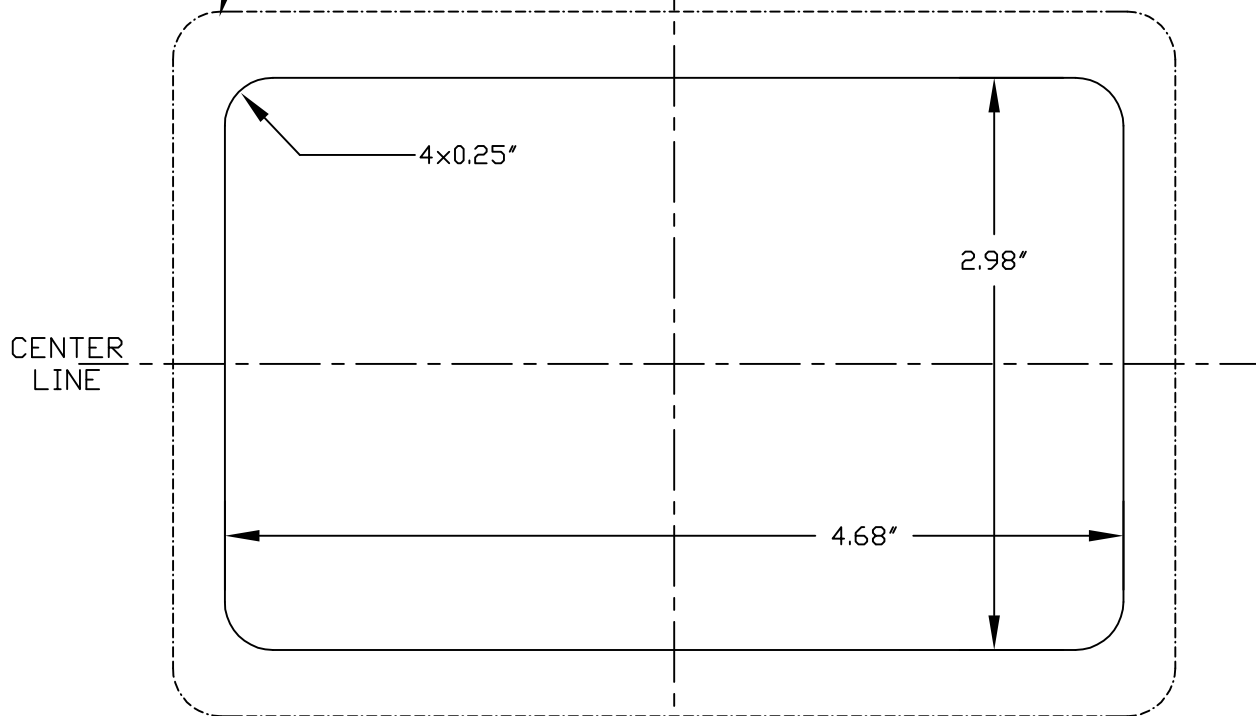


OUTLINE OF INSTRUMENT  
FOR REFERENCE ONLY

CENTER  
LINE

MAKE SURE TO CHECK  
MEASUREMENTS IF THIS  
TEMPLATE IS PRINTED  
FROM A COMPUTER OR  
PHOTOCOPIED.



USE THIS TEMPLATE FOR STANDARD THROUGH THE  
DASH INSTALATION

70917K - REPLACEMENT INSTALATION HARDWARE

70833 R1