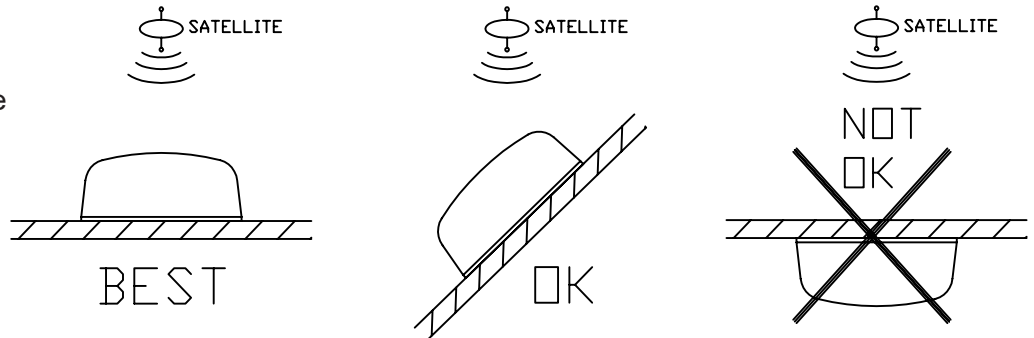


## 1. INSTALLATION:

This GPS Receiver unit must be mounted in the upright upward facing, or upward facing angled position. Unit may be located under dash as long as it is mounted upward facing and proper speedometer operation is verified prior to the final installation.



Installer must pre-route the cable and attach connector, test to insure proper mounting location and functional capabilities.

After proper GPS location selection, use template provided in this instructions to mark and pre-drill routing and mounting holes. "DO NOT USE GPS UNIT AS YOUR DRILLING GUIDE", this will damage the unit and void its' warranty.

Place O-ring onto the mounting screws, and place it through the GPS mount hole and into your pre-drilled surface mounting holes. Install and torque mounting screws with a suitable torque.

## 2. CABLE CONNECTION:

This GPS Receiver unit comes with a 4 Pin Deutsch DT type connector.

Note: The pin numbers are molded into the back of the connector.

Note: The connector can be taken apart to allow installation with smaller diameter drill holes.

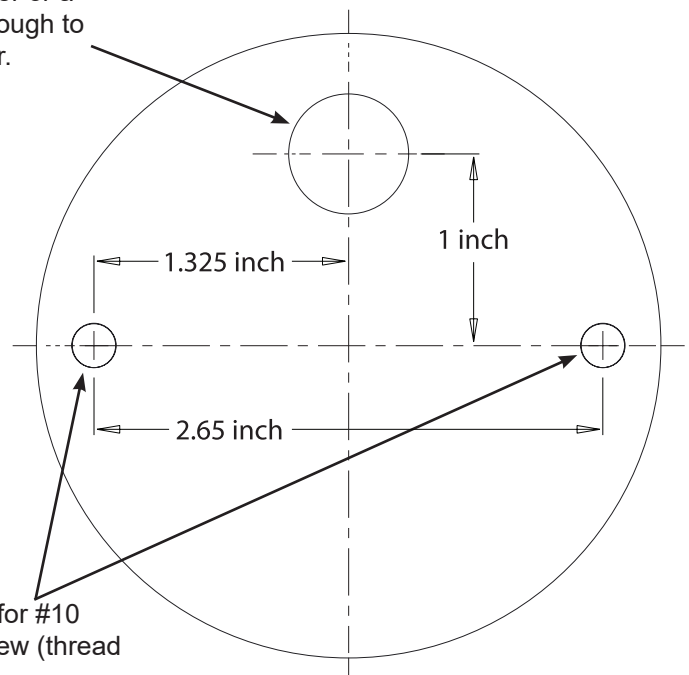
### Pin-Out Diagram:

Pin 1 - Yellow wire	- CAN H
Pin 2 - Green wire	- CAN L
Pin 3 - Red wire	- (+) Power
Pin 4 - Black wire	- (-) Ground

Drill a hole of maximum 5/8 inch diameter or a hole just big enough to fit the connector.

### Mounting Template

Measure prior to use



Drill pilot holes for #10 self tapping screw (thread cutting type).