

FIGURE 2

2. You must decide if you want the clock to continue to operate even if the main battery switch is turned "Off". Although small, there is a constant current drain through the clock, which will eventually discharge the battery unless charged occasionally. If you wish constant operation, run a lead from the clock's "+" (plus) terminal to the battery's "+" (positive) terminal, being sure you install an in-line 10 amp fuse within 18" of the battery terminal. If you wish to have the clock "Off" when the boat/vehicle is not in use, connect to a suitably fused 12 volt supply that is controlled by the main battery switch.

CAUTION
MAKE SURE ELECTRICAL WIRING IS SECURED AWAY FROM MOVING OR HOT ENGINE COMPONENTS.

WIRING THE CLOCK'S LIGHT

1. If clock lighting is desired, run a lead from the panel's light switch (or the "L" terminal of another gauge), to the clock's "L" (Light) terminal. Refer to Figure 2.

CAUTION
BEFORE RECONNECTING BATTERY, RE-CHECK WIRING TO ENSURE ALL CONNECTIONS ARE PROPERLY MADE. INCORRECT CONNECTIONS OR ELECTRICAL SHORTS COULD CAUSE DAMAGE OR FIRE IN SYSTEM. ELEMENTS OF ELECTRICAL SYSTEM SHOULD HAVE PROPER FUSES INSTALLED.

When system wiring is complete, connect battery and start engine. Check for proper operation. If clock does not run, check wiring, fuse, battery charge, and switch position (if supply is controlled by main switch).

SETTING THE TIME

To set the clock, push the knob in, rotate hands to correct time, and release knob.

USA Sales/Support
Veethree Electronics and Marine
2050 47th Terrace East
Bradenton, FL 34203 USA
Tel 941-538-7775
Fax 941-775-1222
techservice@veethree.com
www.veethree.com

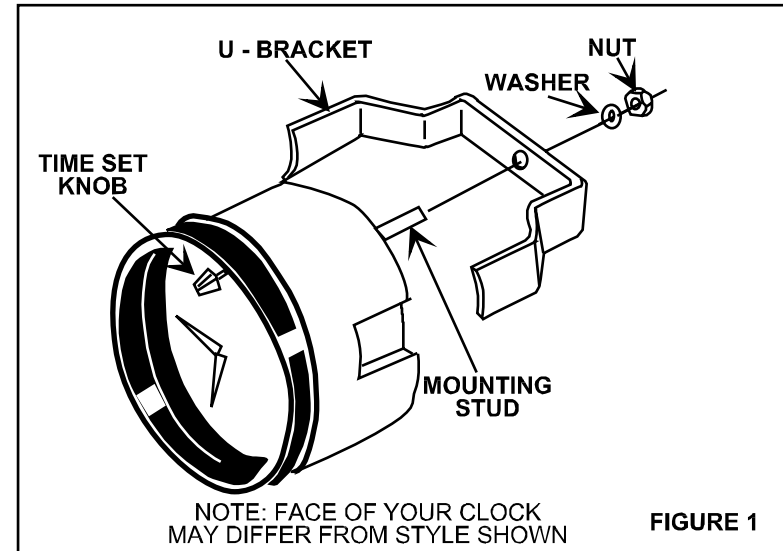


FIGURE 1

NOTE: FACE OF YOUR CLOCK MAY DIFFER FROM STYLE SHOWN

FOLLOWING ARE INSTRUCTIONS FOR INSTALLING AN ELECTRIC CLOCK. IT'S USE IS RESTRICTED TO 12VDC, NEGATIVE GROUND SYSTEMS.

Additional equipment needed to complete installation:

No. 16 stranded insulated wire
Insulated terminal lugs

CAUTION
READ THESE INSTRUCTIONS THOROUGHLY BEFORE PROCEEDING DO NOT DEVIATE FROM WIRING INSTRUCTIONS. INCORRECT WIRING COULD CAUSE ELECTRICAL SHORT AND POSSIBLE FIRE. ALWAYS DISCONNECT BATTERY BEFORE MAKING ANY ELECTRICAL CONNECTIONS.

Note: Various Standard-making Organizations have promulgated rules for wiring. Those applicable to your area should be followed.

CLOCK INSTALLATION

1. Select a mounting location for clock which provides for easy readability from the operator's position. Check behind the mounting panel for sufficient installation clearance.
2. Cut a 2-1/8" (54mm) hole through panel at desired location.

3. Refer to Figure 1. Insert clock into mounting hole and check fit.

4. Fit "U" bracket over mounting studs on back of gauge (See Figure 1). Bracket is made to install gauges in panels up to 1/2" (13mm) thick. If necessary, legs of bracket may be cut down to accommodate thicker panels.

5. Tighten nuts until gauge can no longer be rotated by hand. Caution: Overtorquing of nut may crack gauge housing or mounting panel.

WIRING THE CLOCK

1. Refer to Figure 2. Run a lead from the "-" (minus) terminal of the clock to Electrical System Ground.