

C3I CAN Display

3.5" Colour LCD - C Series



Technical Data



Introduction

The C3I, formerly the CANvu 355 Low Profile, has a 3.5inch colour display with fully integrated input and output features. One of our most popular displays this variant has a low profile housing giving a sleeker finish and larger buttons than the standard C3. The display is available in 4 variants with Standard Housing, and reduced I/O combinations, part of our family of compact, flexible, and rugged CAN bus monitors.

With 7 analogue inputs, 4 relay outputs combined with 3 digital inputs, 2 CAN input connections, plus a USB port, the C3I allows maximum functionality. The QVGA colour display can be viewed in full sunlight, and the unit is totally sealed and electronically extremely durable.

The display can provide system control functions, alarm functionality, and has configurable data logging capability and is equipped to meet the challenge of providing tough, flexible, maintenance free instrumentation in even the very harshest of environments.

Key Features

- 2 x CANbus, 1 x RS232 Connection
- 7 x Analogue & 3 x Digital Inputs
- 4 x Relay Outputs
- Data Logging & Control Capability
- Wi-Fi Telematics Compatible
- Ruggedised Low Profile Display
- J1939/NMEA 2000/Tier 4 Support
- IP66 Front & IP67 Rear

Address

CANtronik Ltd T/A Veethree Technologies
 4a Upton Industrial Estate
 Factory Road, Poole
 Dorset, BH16 5SJ, UK



+44 (0) 1202 973023



info@veethree.co.uk



www.veethree.co.uk



Reliability

Our products continue to be successfully deployed in an enormously diverse range of applications where total reliability is vital.

All products, bespoke or standard range are backed up by a dedicated central team of specialist engineers able to rapidly adapt any product for a specific application and to provide an unrivalled level of customer support.

Displays are also supported with a return to base extended 24-month Manufacture warranty against mechanical failure or material defects.

Software

Our SDK is offered for a one-off licence fee from which customers can develop their own bespoke application solution. Available are optional plugins for CANopen, J1939, NMEA 2000, and support hours are included should your engineers need any help along the way.

Alternatively, we can develop bespoke software to your specification using our experienced in house engineers.

Over the years our engineers have developed software for our displays to run rock crushers & mining machinery, measure performance of spraying equipment, acting as battery monitors, boat gyro stabilisers, plus many more including military and aerospace applications.

Also available is our Engine Monitor standard software for Industrial and Marine, which can be pre-loaded to our displays receiving and displaying J1939 engine and transmission data, including common Tier4 parameters, with active alarms (from DM1) & NMEA 2000 data, where supported.

Accessories

- Cable Harnesses
- Protective Sun Covers
- Mounting Kits
- Branding - Labels & Boxes

Address

CANtronik Ltd T/A Veethree Technologies
4a Upton Industrial Estate
Factory Road, Poole
Dorset, BH16 5SJ, UK



+44 (0) 1202 973023



info@veethree.co.uk



www.veethree.co.uk



0026
Certificate Number 12410
ISO9001

Specifications

Hardware	
CPU	Processor is Freescale iMX 286, running 454 MHz
Flash Memory	128 MB NAND
SDRAM	128 MB
Electrical	
Display	a-Si TFT LCD 3.5"
Resolution	320 (H) x 240 (V) QVGA
Active Area	70.08mm (H) x 52.56mm (V)
Viewing Angle	130/110 degrees from 6 O'clock
Number of Colours	64K
Contrast Ratio	300:1
Brightness	750 NIT
Power Requirements	10V to 32V DC
Sounder	Internal Buzzer
Connection	(2) 12 Pin Deutsch DT04-12PA Moulded in Receptacle
Communications	1 X RS232, 2 X CAN Bus 2.0B (1 isolated), USB2.0
7 Analogue Inputs	0 - 2.5 VDC, 0 - 10 VDC or 0 - 1000 OHMS
2 Switch Inputs	Switch contact to ground or open collector type sensor - max. frequency = 50Hz
RPM Input	Magnetic pick up or hall effect & similar with push-pull output - max. frequency = 5 KHz
4 Relay / Solenoid Outputs	Open collector suitable for 0.5A continuous load
Environmental	
Operating Temperature	-40 to +70 Degrees Celsius
Storage Temperature	-40 to +80 Degrees Celsius
Degree of Protection	IP 66 front IP 67 back
Mechanical	
Case Material	ABS
Case Colour	Black
Dimensions	116mm (W) x 116mm (H) x 23mm Front x 41mm rear (D) and 96mm rear (W x H)
Part Number	
3510	C3I 3.5" CAN Display
3511	C3I 3.5" CAN Display with Engine Monitor Software Preloaded

Address

CANtronik Ltd T/A Veethree Technologies
 4a Upton Industrial Estate
 Factory Road, Poole
 Dorset, BH16 5SJ, UK



+44 (0) 1202 973023



info@veethree.co.uk



www.veethree.co.uk

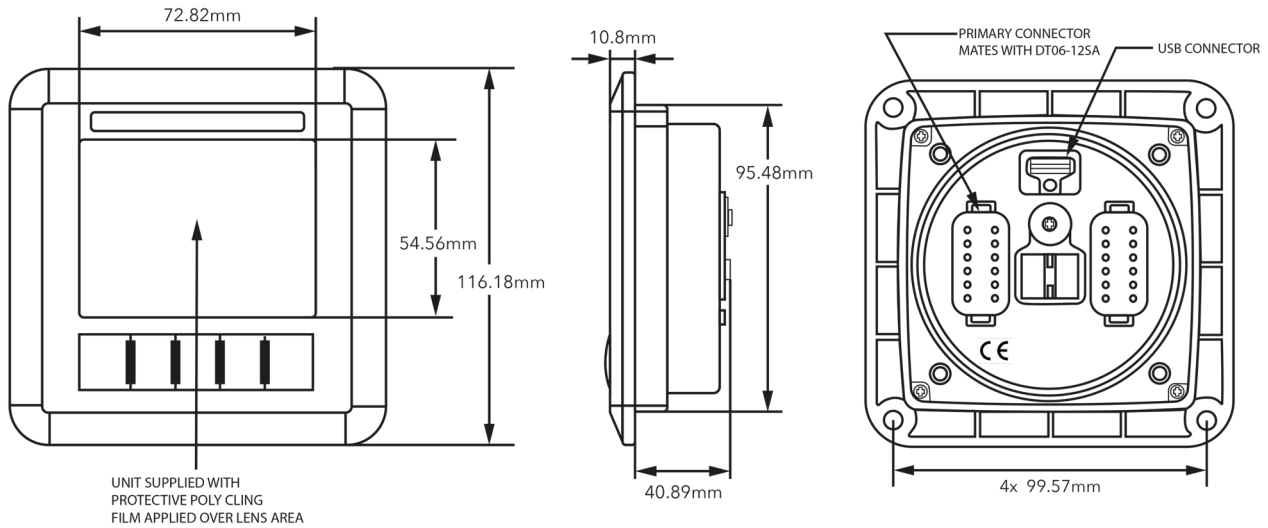


0026
 Certificate Number 12410
 ISO9001

C3I CAN Display

3.5" Colour LCD - C Series

Dimensions



Connectors

Primary		Secondary	
1	Ground	1	Sensor 1 Analog Input
2	Ground & Power ¹	2	Sensor 2 Analog Input
3	Relay/Solenoid Output 1	3	Sensor 3 Analog Input
4	Relay/Solenoid Output 2	4	Sensor 4 Analog Input
5	Isolated CAN Supply (-)	5	Sensor 5 Analog Input
6	Isolated CAN Supply (+)	6	Sensor 6 Analog Input
7	Isolated CAN Data H	7	Sensor 7 Analog Input
8	Isolated CAN Data L	8	Digital Input/Flow Sensor 1
9	Relay/Solenoid Output 3	9	Digital Input/Flow Sensor 2
10	Relay/Solenoid Output 4	10	Tachometer Input
11	Primary CAN Data L	11	RS232 Receiver
12	Primary CAN Data H	12	RS232 Transmit

Note 1. (10-32V DC) Supply should be protected by 1A – Rated circuit breaker/ fuse.

IMPORTANT NOTICE

Safety Warning: Please note analogue input voltages should not exceed the supply voltage or damage may occur. No power should be present on the harness during connection. USB port should not be used for charging external equipment such as mobile phones.

Connect Harness 1 (Primary) noting correct orientation of connector. Ensure it is fully mated so the connector latches into place. Then connect Harness 2 (Secondary) note correct orientation of connector. Ensure it is fully mated so the connector latches into place.

Address

CANtronik Ltd T/A Veethree Technologies
4a Upton Industrial Estate
Factory Road, Poole
Dorset, BH16 5SJ, UK



+44 (0) 1202 973023



info@veethree.co.uk



www.veethree.co.uk



0026
Certificate Number 12410
ISO9001