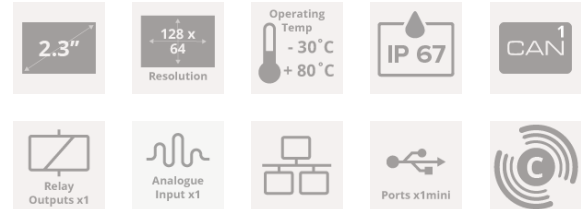


CANvu™ 230

2.3" Monochrome Screen Display



Technical Data



Introduction

Our 2.3" monochrome display – replaces the original CANvu 170.

With its compact size, rugged design the CANvu 230 is ideally suited for use on vehicles and equipment such as small construction machines, generators, agricultural and industrial equipment, and offers easy integration into third party CAN-based systems.

The display supports J1939, NMEA2000, CANopen, raw CAN & is Tier 4 compliant. CANvu displays have established a new standard for intelligent, multi-function displays and are the perfect platform to empower your electronic systems with flexibility and control.

The CANvu 230 complements the existing CANvu product range by providing market leading value for money and functionality in a very compact display.

Key Features

- 1 x CANbus Connection
- 4 x Illuminated Buttons
- 1 Relay Output & 1 Analogue Input
- USB Port Supports Data Retrieval
- Monochrome Screen
- Ruggedised Display
- J1939/NMEA 2000/Tier 4 Support
- IP67 Rated Protection

ADDRESS

CANtronik Limited, 4A Factory Road,
Upton, Poole, Dorset, BH16 5SJ, UK

+44 (0) 1202 973023

info@cantronik.com



CANvu™ 230

2.3" Monochrome Screen Display

Reliability

CANvu products continue to be successfully deployed in an enormously diverse range of applications where total reliability is vital.

All CANtronik products, bespoke or standard range are backed up by a dedicated central team of specialist engineers able to rapidly adapt any product for a specific application and to provide an unrivalled level of customer support.

The CANvu displays are also supported with a return to base extended 24-month Manufacture warranty against mechanical failure or material defects.

Software

Our SDK is offered for a one-off licence fee from which customers can develop their own bespoke application solution. Available are optional plugins for CANopen, J1939, NMEA 2000, and support hours are included should your engineers need any help along the way.

Alternatively, CANtronik can develop bespoke software to your specification using our experienced in house engineers.

Over the years our engineers have developed software for our displays to run rock crushers & mining machinery, measure performance of spraying equipment, acting as battery monitors, boat gyro stabilisers, plus many more including military and aerospace applications.

Also available is our CANvu™ Engine Monitor standard software for Industrial and Marine, which can be pre-loaded to our displays receiving and displaying J1939 engine and transmission data, including common Tier4 parameters, with active alarms (from DM1) & NMEA 2000 data, where supported.

Accessories

- Cable Harnesses
- Protective Sun Covers
- Mounting Kits
- Branding - Labels & Boxes

ADDRESS

CANtronik Limited, 4A Factory Road,
Upton, Poole, Dorset, BH16 5SJ, UK

+44 (0) 1202 973023

info@cantronik.com



CANvu™ 230

2.3" Monochrome Screen Display

Specifications

Hardware	
CPU	ARM Cortex M3
Flash Memory	256KB (expandable to 1MB)
RAM	96K (expandable to 128K)
Electrical	
Display	2.3" Dot Matrix LCD
Resolution	128 (H) x 64 (V) pixels transfective
Power Requirements	10V to 32V DC
Sounder	Internal Buzzer
Connection	Integral Deutsch 6 way connector
Communications	1 X CAN Bus 2.0B and USB MiniB OTG
Environmental	
Operating Temperature	-30 to +80 Degrees Celsius
Storage Temperature	-40 to +80 Degrees Celsius
Degree of Protection	IP67
Mechanical	
Case Material	ABS
Case Colour	Black
Dimensions	79.50mm x 69.40mm
Part Number	
900230	CANvu™ 230 - 2.3" Monochrome Screen Display

ADDRESS

CANtronik Limited, 4A Factory Road,
Upton, Poole, Dorset, BH16 5SJ, UK

+44 (0) 1202 973023

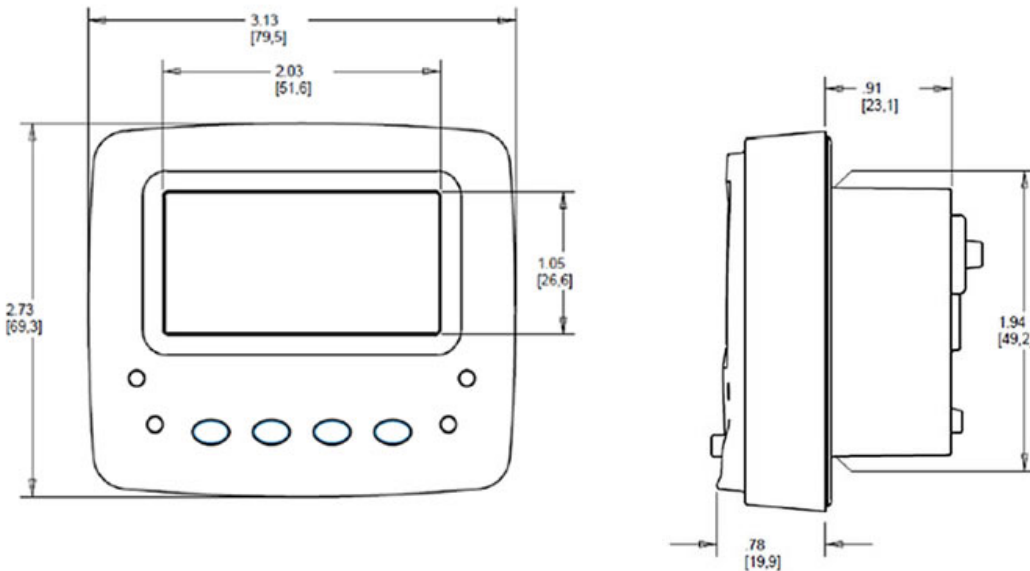
info@cantronik.com



CANvu™ 230

2.3" Monochrome Screen Display

Dimensions



Connectors

Primary

1	Ground	
2	Power (10-32V DC)	
3	Isolated CAN Data H	
4	Isolated CAN Data L	
5	Relay / Solenoid Output	
6	Analogue Input	

IMPORTANT NOTICE

Safety Warning: Please note analogue input voltages should not exceed the supply voltage or damage may occur.

No power should be present on the harness during connection.

USB port should not be used for charging external equipment such as mobile phones.

(10-32V DC) Supply should be protected by 1A – Rated circuit breaker/fuse.

Connect Harness 1 (Primary) noting correct orientation of connector. Ensure it is fully mated so the connector latches into place.

ADDRESS

CANtronik Limited, 4A Factory Road,
Upton, Poole, Dorset, BH16 5SJ, UK

+44 (0) 1202 973023

info@cantronik.com

