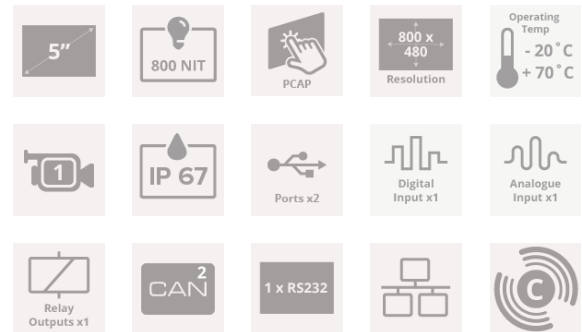


CANvu™ 500

5" Colour Touch Screen Display



Technical Data



Introduction

The CANvu 500 has a slim-line profile housing a hi-resolution 5-inch projected capacitive touch customisable colour screen delivering modern tablet like aesthetics. A Freescale i.MX 6 processor and dedicated graphics processor offer high performance graphics and video capabilities.

The WVGA (800x480) PCAP LCD colour display can be viewed in full sunlight and the ruggedised unit is sealed to meet IP 67 standards. With dual CAN, Ethernet and Video supported the display is suited to a wide range of applications. External buttons can be added via a compatible CAN keypad.

It meets the need for tough, flexible instrumentation while offering high performance and design specifications. Custom software applications to be rapidly created using the CANvu Qt software development kit (SDK), and the display can be integrated into a control & monitoring system using its data logging capacity, and alarm functionality.

Key Features

- 2 x CANbus & 1 x RS232 Connection
- 1 x Analogue, 1 x Digital Input
- 1 x Relay Output
- Data Logger & Control Functions
- Telematics Supported
- 1 x Ethernet & 1 x Video Connection
- J1939/NMEA 2000/Tier 4 Compatible
- IP67 All Round Protection

ADDRESS

CANtronik Limited, 4A Factory Road,
Upton, Poole, Dorset, BH16 5SJ, UK

+44 (0) 1202 973023

info@cantronik.com



CANvu™ 500

5" Colour Touch Display

Reliability

CANvu products continue to be successfully deployed in an enormously diverse range of applications where total reliability is vital.

All CANtronik products, bespoke or standard range are backed up by a dedicated central team of specialist engineers able to rapidly adapt any product for a specific application and to provide an unrivalled level of customer support.

The CANvu displays are also supported with a return to base extended 24-month Manufacture warranty against mechanical failure or material defects.

Software

Our SDK is offered for a one-off license fee from which customers can develop their own bespoke application solution.

A new Qt version of SDK is supplied for this display with a migration support from other CANvu displays and support hours are included should your engineers need any help along the way.

Alternatively, CANtronik can develop bespoke software to your specification using our experienced in house engineers.

Over the years our engineers have developed software for our displays to run rock crushers & mining machinery, measure performance of spraying equipment, acting as battery monitors, boat gyro stabilisers, plus many more including military and aerospace applications.

Accessories

- Cable Harnesses
- Protective Sun Covers
- Mounting Kits
- Branding - Labels & Boxes

ADDRESS

CANtronik Limited, 4A Factory Road,
Upton, Poole, Dorset, BH16 5SJ, UK

☎ +44 (0) 1202 973023

✉ info@cantronik.com



CANvu™ 500

5" Colour Touch Display

Specifications

Hardware	
CPU	Freescale i.MX 6 1GHz and an additional Graphics Processor
Flash Memory	256 MB
SDRAM	256 MB NAND
Electrical	
Display	PCAP LCD 5.0"
Resolution	800 (H) x 480 (V) WVGA
Active Area	108.0mm (H) x 64.8mm (V)
Viewing Angle	70 degrees left/right/down/up
Contrast Ratio	800:1
Brightness	800 NIT (cd/m2) Full sunlight readable
Power Requirements	8V to 32V DC
Sounder	Internal Buzzer
Connection	5 x M12 Connectors
Communications	1 X RS232, 2 X CAN Bus 2.0B (1 isolated)
	2 x USB 2.0, 1 x Ethernet
Environmental	
Operating Temperature	-20 to +70 Degrees Celsius
Storage Temperature	-40 to +80 Degrees Celsius
Degree of Protection	IP67
Mechanical	
Case Material	ABS
Case Colour	Anthracite Grey
Dimensions	133mm (W) x 94mm (H) x 11mm forward and 48mm rear (D)
Part Number	
900500	CANvu™ 500 - 5" Colour PCAP Display

ADDRESS

CANtronik Limited, 4A Factory Road,
Upton, Poole, Dorset, BH16 5SJ, UK

+44 (0) 1202 973023

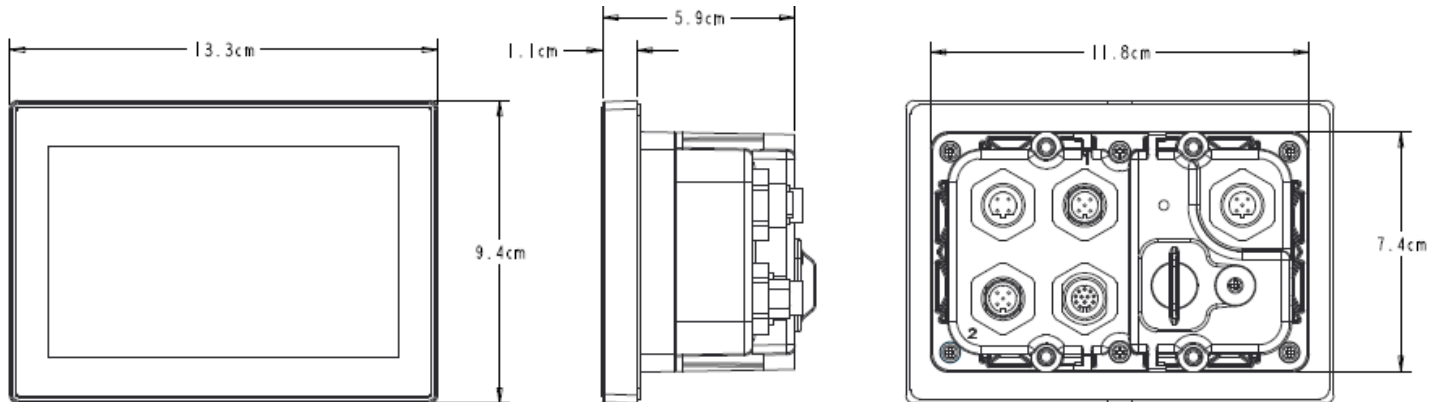
info@cantronik.com



CANvu™ 500

5" Colour Touch Display

Dimensions



Connectors

CAN 1		External USB / IO		Ethernet	
1	No Connection		1	USB Volts Positive	
2	Positive DC Supply		2	USB Data Negative (DM)	
3	Ground		3	USB Data Positive (DP)	
4	CAN Data H		4	No Connection	
5	CAN Data L		5	USB Volts Negative	
CAN 2			6	RS422/485 Tx+*	
1	No Connection		7	RS422/485 Tx-*	
2	Isolated Volts Positive		8	RS422/485 Rx+*	
3	Isolated Volts Negative		9	RS422/485 Rx-*	
4	Isolated CAN Data H		10	Digital Input	
5	Isolated CAN Data L	11	Analogue Input		
			12	Relay Output	
				Video	
				1	Camera 1
				2	Camera 2
				3	Camera 3
				4	Camera 4
				5	Ground

*RS422 & RS485 options configured as a build option

ADDRESS

CANtronik Limited, 4A Factory Road,
Upton, Poole, Dorset, BH16 5SJ, UK

+44 (0) 1202 973023

info@cantronik.com

