

# M4 CAN Display

4.3" Monochrome LCD - M Series



## Technical Data



## Introduction

Now in its 3rd generation of hardware, the M4 and M4h, formerly the CANvu 260 and 261, are multi-function intelligent displays that have been sold worldwide. With thousands in service, they are possibly the most tested and widely used marine and industrial CAN bus displays in use today – rugged in its design with proven durability.

The M4 family is the market leading engine monitoring display with dedicated software specifically designed to work with the new breed of electronic controlled engines. With full DM1 and DM2 alarm management, as well as multiple languages and configurable display formats, the M4 unit is the foundation of many customised versions of Veethree displays in use globally.

The M4h is capable of operating at lower temperatures with a heated LCD module operating down to -40°C. The M4 operates to -25°C, with both operating to +75°C.

## Key Features

- 1 x CANbus, 1 x RS232 Connection
- 4 x LED Indicators
- 5 x Illuminated Buttons
- 1 x Relay Output (261 Only)
- Backlit Monochrome Screen
- Ruggedised Display
- J1708/J1587/J1939/NMEA 2000/Tier 4
- IP67 Rated

### Address

CANtronik Ltd T/A Veethree Technologies  
 4a Upton Industrial Estate  
 Factory Road, Poole  
 Dorset, BH16 5SJ, UK

+44 (0) 1202 973023  
 info@veethree.co.uk  
 www.veethree.co.uk



## Reliability

Our products continue to be successfully deployed in an enormously diverse range of applications where total reliability is vital.

All products, bespoke or standard range are backed up by a dedicated central team of specialist engineers able to rapidly adapt any product for a specific application and to provide an unrivalled level of customer support.

Displays are also supported with a return to base extended 24-month Manufacture warranty against mechanical failure or material defects.

## Software

Our SDK is offered for a one-off licence fee from which customers can develop their own bespoke application solution. Available are optional plugins for CANopen, J1939, NMEA 2000, and support hours are included should your engineers need any help along the way.

Alternatively, we can develop bespoke software to your specification using our experienced in house engineers.

Over the years our engineers have developed software for our displays to run rock crushers & mining machinery, measure performance of spraying equipment, acting as battery monitors, boat gyro stabilisers, plus many more including military and aerospace applications.

Also available is our Engine Monitor standard software for Industrial and Marine, which can be pre-loaded to our displays receiving and displaying J1939 engine and transmission data, including common Tier4 parameters, with active alarms (from DM1) & NMEA 2000 data, where supported.

## Accessories

- Cable Harnesses
- Protective Sun Covers
- Mounting Kits
- Branding - Labels & Boxes

### Address

CANtronik Ltd T/A Veethree Technologies  
4a Upton Industrial Estate  
Factory Road, Poole  
Dorset, BH16 5SJ, UK



+44 (0) 1202 973023



info@veethree.co.uk



www.veethree.co.uk



0026  
Certificate Number 12410  
ISO9001

## Specifications

Hardware	
CPU	Siemens 164, 16 bit/ 20Mhz
Flash Memory	512K bytes
RAM	128K bytes - EPROM 2K bytes 260 & 2K bytes + 32K bytes 261
Electrical	
Display	Transflective FSTN
Resolution	160 x 128 pixel
Power Requirements	10V to 32V DC
Power Consumption	40mA (backlight off) 160mA (backlight on) at 12V DC
Sounder	4kHz Internal Buzzer
Connection	Integral Deutsch 12 way connector (DT04-12PA)
Communications	Full CAN 2.0B controller/port RS232/RS433/RS485
Environmental	
Operating Temperature	260 -25 to +75 Degrees Celsius, 261 -40 to +75 Degrees Celsius
Storage Temperature	-40 to +80 Degrees Celsius
Degree of Protection	IP67
Salt Spray	IEC 60068-2-52: 1996
EMC	EC 61000 and EN55022
Mechanical	
Case Material	ABS
Case Colour	Anthracite Grey
Dimensions	110mm x 110mm x 38.5mm deep without connector
Part Number	
2600	M4 4.3" CAN Display
2610	M4h 4.3" CAN Display
2601	M4 4.3" CAN Display with Engine Monitor Software Preloaded
2611	M4h 4.3" CAN Display with Engine Monitor Software Preloaded

### Address

CANtronik Ltd T/A Veethree Technologies  
 4a Upton Industrial Estate  
 Factory Road, Poole  
 Dorset, BH16 5SJ, UK



+44 (0) 1202 973023



info@veethree.co.uk



www.veethree.co.uk

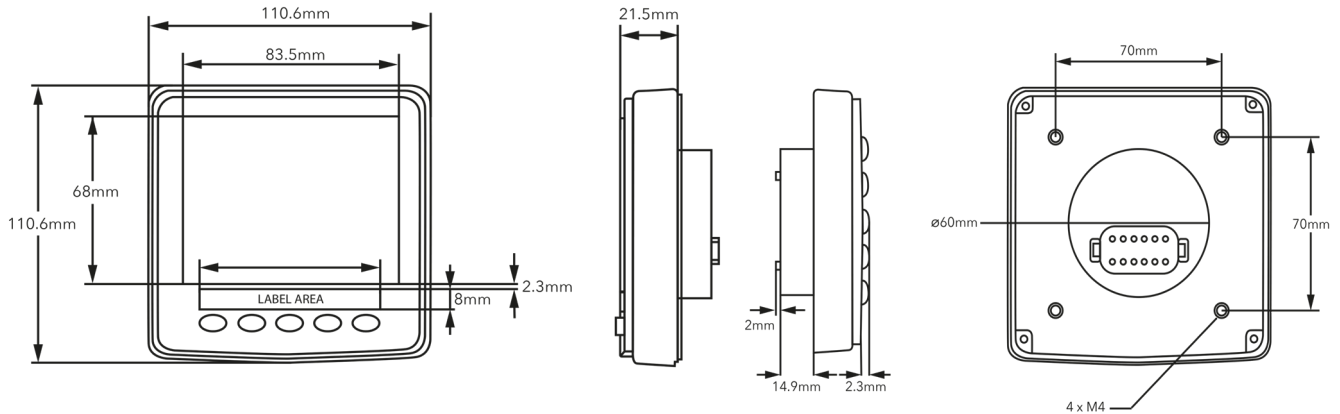


0026  
 Certificate Number 12410  
 ISO9001

# M4 CAN Display

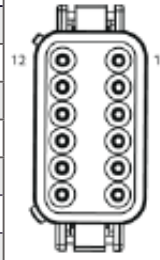
4.3" Monochrome LCD - M Series

## Dimensions



## Connectors

Primary	
1	Ground
2	Ground & Power <sup>1</sup>
3	RS232 TX (+)
4	RS232 TX (-)
5	RS232 RX (+)
6	RS232 RX (-)
7	CAN LO
8	CAN HI
9	J1708 / J1587A
10	J1708 / J1587B
11	Switched Output (261)
12	Not Used



Note 1. (10-32V DC)  
 Supply should be protected by  
 1A – Rated circuit  
 breaker/fuse.

### IMPORTANT NOTICE

Safety Warning: Please note analogue input voltages should not exceed the supply voltage or damage may occur. No power should be present on the harness during connection. USB port should not be used for charging external equipment such as mobile phones.

Connect Harness 1 (Primary) noting correct orientation of connector. Ensure it is fully mated so the connector latches into place.

### Address

CANtronik Ltd T/A Veethree Technologies  
 4a Upton Industrial Estate  
 Factory Road, Poole  
 Dorset, BH16 5SJ, UK



+44 (0) 1202 973023



info@veethree.co.uk



www.veethree.co.uk



0026  
 Certificate Number 12410  
 ISO9001