

J1939 CAN GAUGES

Direct Connect Gauge Range



Introduction

J1939 compliant Gauges wire directly to the J1939 CAN. Fully sunlight readable instruments provide excellent visibility showing all available data and alarms. Rugged and stylish gauges, sealed to meet IP67 immersion standards and include an anti-fog resistant coating on the inside of the lens to virtually eliminate fogging. Domed plastic (3") & glass (2") lenses minimise reflections and allow moisture to run off. 3" tachometer features buttons to operate the LCD display functions.

Compact & easy to install available in 3" and 2" sizes, and in standard black or white dial colours with chrome plated bezels. Custom styles, colors and CAN protocols are also available.

LED light piping directs light evenly behind the translucent dial and the pointer shaft to maximise night visibility. Keyed housing locks the gauge into dashboards precisely and easily. Electrical movements are magnetically shielded to eliminate electrical interference and are CE certified.

Key Features

- SAE J1939 3" & 2" CANbus Gauges
- LCD Displays Alarms & Available Data
- Multiple Graphic & Bezel Options
- LED Dimmable Backlighting
- Soft-function Tactile Push Keys
- Fog Resistant Lenses
- Plug & Play Connectors
- IP67 Rated

ADDRESS

CANtronik Limited, 4A Factory Road,
Poole, Dorset, BH16 5SJ, UK

+44 (0) 1202 973023

info@cantronik.com

www.cantronik.com



J1939 CAN GAUGES

Direct Connect Gauge Range

Technical Specification

Parameters Supported

| | | |
|-----------------------|-------------------|---------------------------|
| Air Temperature | Auxiliary Temp | Battery Voltage |
| Boost Pressure | Coolant Level | Coolant Pressure |
| DPF Ash Load | DPF Level | DPF Soot Level |
| Engine Load | Engine RPM | Engine Temperature |
| Exhaust Temperature | Manifold Pressure | Oil Temperature |
| Oil Level | Tank Level | Transmission Oil Pressure |
| Transmission Oil Temp | Water Pressure | Water Temperature |

Alarms Supported


| | |
|-------------------------|---------------------|
| DEF Level Alarms | DPF Level Alarms |
| High Engine Temperature | High System Voltage |
| Low Engine Oil Pressure | Low Fuel Level |
| Low System Voltage | Water In Fuel |

Specifications

| | |
|---|-------------------------------------|
| UV Protected Polymers | DC Voltage Supply: 8-16V DC |
| DC Protection: Reverse Polarity, Thermal Overload and Short Circuit | |
| Storage Temperature: -20 to +70°C | Operating Temperature: -40 to +85°C |

ADDRESS

CANtronik Limited, 4A Factory Road,
Poole, Dorset, BH16 5SJ, UK

 +44 (0) 1202 973023

 info@cantronik.com

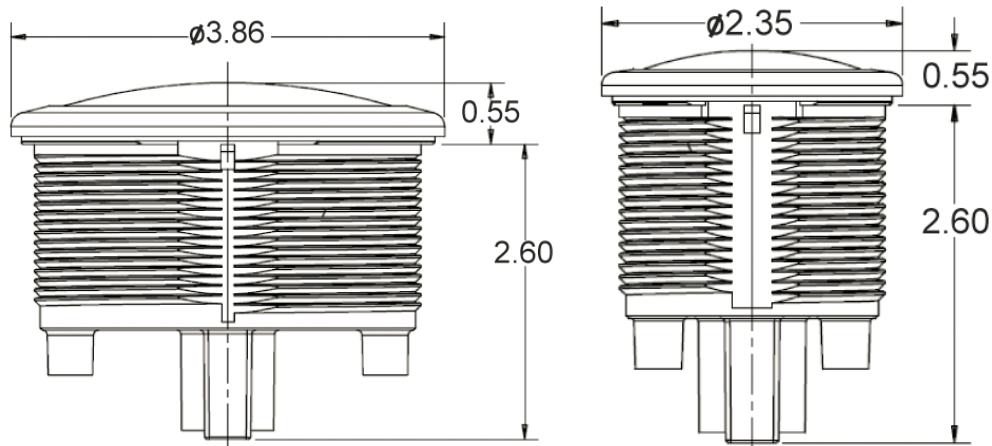
 www.cantronik.com



J1939 CAN GAUGES

Direct Connect Gauge Range

Dimensions



Gauge Types

Black or White Chrome Bezel Options Available

| | |
|--|---|
| Tachometer with LCD 0-5000 RPM - 3" | Tachometer no LCD 0-3000 RPM - 2" |
| Speedometer with LCD 0-85 MPH - 3" | |
| Voltmeter 10-16V DC - 2" | Voltmeter 20-32V DC - 2" |
| Fuel Primary E-F - 2" | Fuel Secondary E-F - 2" |
| DEF E-F - 2" | Oil Pressure 0-125 PSI - 2" |
| Turbo Boost - 0-60 PSI - 2" | Transmission Oil Temperature 100-320°F - 2" |
| Temperature 100-240°F - 2" | |
| Hydraulic Oil Temperature 100-320°F - 2" | Hydraulic Oil Pressure 0-125 PSI - 2" |
| Auxillary Temperature 1 50-200°F - 2" | Auxillary Temperature 2 50-200°F - 2" |

ADDRESS

CANtronik Limited, 4A Factory Road,
Poole, Dorset, BH16 5SJ, UK

+44 (0) 1202 973023

info@cantronik.com

www.cantronik.com

