

**Technical data**

 3.5 INCH  
 DISPLAY

 750 NIT  
 DISPLAY

 130° / 110°  
 VIEWING  
 ANGLE

 RESOLUTION  
 320  
 x 240


IP 67


 + 70°  
 - 40°  
 OPERATING  
 TEMP

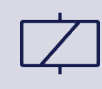
 7 X ANALOGUE  
 INPUT

 3 X DIGITAL  
 INPUT


ETHERNET



1 X PORTS


 4 X RELAY  
 OUTPUTS


1 X RS232



2 X CAN


**3.5" COLOUR DISPLAY**

FORMERLY THE CANVU™ 355, IS THE FULL VERSION IN THE RANGE OF 3.5" COMPACT COLOUR CAN BUS DISPLAYS.

The C3 has a 3.5inch colour LCD with fully integrated input and output features. One of our most popular displays, it is available in 4 variants with low profile and reduced I/O combinations. The display is part of the family of compact, flexible, and rugged CAN bus monitors.

With 7 analogue inputs, 4 relay outputs combined with 3 digital inputs, 2 CAN input connections, plus a USB port the C3 allows maximum function

The QVGA colour display can be viewed in full sunlight, the unit is totally sealed and electronically extremely durable. The display can provide system control functions, alarm functionality, and has configurable data logging capability.

It is equipped to meet the challenge of providing tough, flexible, maintenance free instrumentation in even the harshest of environments.

Using the powerful Freescale iMX 286 ARM processor running Linux, programmers can quickly put together a project using our proprietary software developer's kit (SDK) and the proven Veethree component based library. Application software is able to be rapidly validated on a PC using the PC simulator.

## Reliability

Our products continue to be successfully deployed in an enormously diverse range of applications where total reliability is vital.

All products, bespoke or standard range are backed up by a dedicated central team of specialist engineers able to rapidly adapt any product for a specific application and to provide an unrivalled level of customer support.

Displays are also supported with a return to base extended 24-month Manufacture warranty against mechanical failure or material defects.



## Software

Our SDK is offered for a one-off licence fee from which customers can develop their own bespoke application solution. Available are optional plugins for CANopen, J1939, NMEA 2000, and support hours are included should your engineers need any help along the way.

Alternatively, we can develop bespoke software to your specification using our experienced in house engineers.

Over the years our engineers have developed software for our displays to run rock crushers & mining machinery, measure performance of spraying equipment, acting as battery monitors, boat gyro stabilisers, plus many more including military and aerospace applications.

Also available is our Engine Monitor standard software for Industrial and Marine, which can be pre-loaded to our displays receiving and displaying J1939 engine and transmission data, including common Tier4 parameters, with active alarms (from DM1) & NMEA 2000 data, where supported.



## Accessories

- > Cable Harnesses
- > Front Mounting Kits
- > Protective Sun Covers
- > Branding - Labels & Boxes
- > GPS Sensor
- > Development Harness



**Specifications**

Hardware	
CPU	Freescale iMX 286 (454 MHz ARM926EJ-S)
FLASH Memory	128 MB NAND
SDRAM	128 MB

Electrical	
Display	a-Si TFT LCD 3.5'
Resolution	320 (H) x 240 (V) QVGA
Active Area	70.08mm (H) x 52.56mm (V)
Viewing Angle	130/110 degrees from 6 O'clock
Number Of Colours	64K
Contrast Ratio	300:1
Brightness	750 NIT 9cd/m2)
Power Requirements	10V to 32V DC
Sounder	Internal Buzzer
Connection - Primary	(1) 12 Pin Deutsch DT06-12SA Moulded in Receptable
Connection - Secondary	(1) 12 Pin Deutsch DT06-12SB Moulded in Receptable
Communications	1 X RS232, 2 X CAN Bus 2.0B (1 isolated), USB2.0

Environmental	
Operating temperature	-40°C to +70°C
Storage Temperature	-40°C to +80°C
Degree of Protection	IP67 Rear, IP66 Front

Mechanical	
Case material	ABS
Case colour	Black
Dimensions	95mm (W) x 95mm (H) Front x 23mm rear (D) and 23mm forward.

Input / Output	
7 Analogue Inputs	0 - 2.5 VDC, 0 - 10 VDC or 0 - 1000 OHMS
2 Switch Inputs	Switch Contact to ground or open collector type sensor - max. frequency = 50 Hz
RPM Input	Magnetic pick up or hall effect & similar with push-pull output - max. frequency = 5 KHz
4 Relay / Solenoid Outputs	Open collector suitable 0.5A continuous load.

Part Number	
3500	C3 3.5" CAN Display
3501	C3 3.5" CAN Display with Engine Monitor Software Preloaded
3503	C3 3.5" CAN Display with Engine Gateway Monitor Software Preloaded



**Connectors**
**Primary**

1	Ground
2	Ground & Power
3	Relay/Solenoid Output 1
4	Relay/Solenoid Output 2
5	Isolated CAN Supply ( - )
6	Isolated CAN Supply ( + )
7	Isolated CAN Data H
8	Isolated CAN Data L
9	Relay/Solenoid Output 3
10	Relay/Solenoid Output 4
11	Primary CAN Data L
12	Primary CAN Data H

Mates with DT06-12SA

**Secondary**

1	Sensor 1 Analog Input
2	Sensor 2 Analog Input
3	Sensor 3 Analog Input
4	Sensor 4 Analog Input
5	Sensor 5 Analog Input
6	Sensor 6 Analog Input
7	Sensor 7 Analog Input
8	Digital Input/Flow Sensor 1
9	Digital Input/Flow Sensor 2
10	Tachometer Input
11	RS232 Reciever
12	RS232 Transmit

Mates with DT06-12SB

Note 1. (10-32V DC) Supply should be protected by 1A – Rated circuit breaker/fuse.

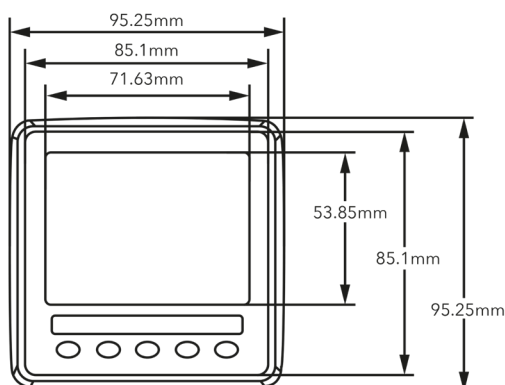
**IMPORTANT NOTICE**

Safety Warning: Please note analogue input voltages should not exceed the supply voltage or damage may occur. No power should be present on the harness during connection. USB port should not be used for charging external equipment such as mobile phones.

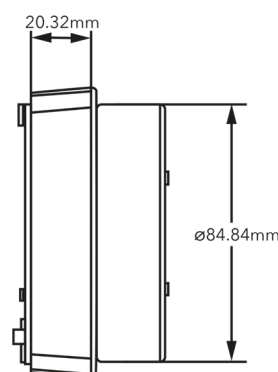
Connect Harness 1 (Primary) noting correct orientation of connector. Ensure it is fully mated so the connector latches into place. Then connect Harness 2 (Secondary) note correct orientation of connector. Ensure it is fully mated so the connector latches into place.

**Dimensions**

FRONT VIEW



SIDE VIEW



REAR VIEW

