



Technical data



2.3 INCH
DISPLAY



RESOLUTION



INGRESS
PROTECTION



1 X ANALOGUE
INPUT



+ 80°
- 30°
OPERATING
TEMP



1 X MINI
USB PORT



1 X CAN



1 X RELAY
OUTPUTS

M2

2.3" MONOCHROME DISPLAY

FORMERLY THE CANVU™ 230 IS THE MOST COMPACT MODEL IN THE RANGE OF MONOCHROME CAN BUS DISPLAYS.

The M2 is compact in size despite the rugged design. The M2 is ideally suited for use on vehicles and equipment such as small construction machines, generators, agricultural and industrial equipment, and offers easy integration into third party CAN-based systems.

The display supports J1939 & is Tier 4 compliant. Our displays have established a new standard for intelligent, multi-function displays and are the perfect platform to empower your electronic systems with flexibility and control.

Our SDK offers bespoke monitoring applications for the M2, alternatively, the Engine Monitor standard software can be pre-loaded as an 'off the shelf' solution, receiving J1939 engine and transmission data.





Reliability

Our products continue to be successfully deployed in an enormously diverse range of applications where total reliability is vital.

All products, bespoke or standard range are backed up by a dedicated central team of specialist engineers able to rapidly adapt any product for a specific application and to provide an unrivalled level of customer support.

Displays are also supported with a return to base extended 24-month Manufacture warranty against mechanical failure or material defects.



Software

Our SDK is offered for a one-off licence fee from which customers can develop their own bespoke application solution. Support hours are included should your engineers need any help along the way.

Alternatively, we can develop bespoke software to your specification using our experienced in house engineers.

Over the years our engineers have developed software for our displays to run rock crushers & mining machinery, measure performance of spraying equipment, acting as battery monitors, boat gyro stabilisers, plus many more including military and aerospace applications.

Also available is our Engine Monitor standard software for Industrial and Marine, which can be pre-loaded to our displays receiving and displaying J1939 engine and transmission data, including common Tier4 parameters, with active alarms (from DM1) where supported.



Accessories

- > Cable Harnesses
- > Front Mounting Kits
- > Protective Sun Covers
- > Branding - Labels & Boxes
- > GPS Sensor
- > Development Harness





Specifications

Hardware

CPU	ARM Cortex M3
FLASH Memory	256KB (Expandable to 1MB)
RAM	96K (Expandable to 128K)

Electrical

Display	2.3" Dot Matrix LCD
Resolution	128 (H) x 64 (V) pixels transfective
Active Area	70.08mm (H) x 52.56mm (V)
Power Requirements	10V to 32V DC
Sounder	Internal Buzzer
Connection	Integral Deutch 6 way connector
Communications	1 x CAN Bus 2.0B and USB MiniB OTG

Environmental

Operating temperature	-30°C to +80°C
Storage Temperature	-40°C to +80°C
Degree of Protection	IP67

Mechanical

Case material	ABS
Case colour	Black
Dimensions	79.50mm x 69.40mm

Part Number

2300	M2 2.3" CAN Display
2301	M2 2.3" CAN Display with Engine Monitor Software Preloaded

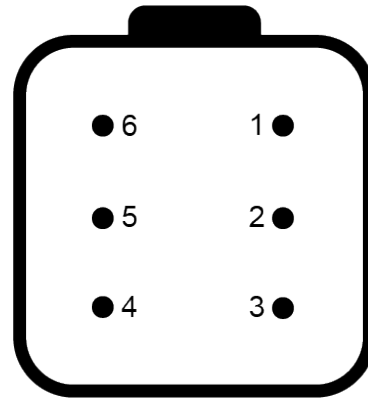




Connectors (Version No.5)

Primary

1	Ground
2	Power (10-32V DC)
3	Isolated CAN Data H
4	Isolated CAN Data L
5	Relay / Solenoid Output
6	Analogue Input



Note 1. (10-32V DC) Supply should be protected by 1A – Rated circuit breaker/fuse.

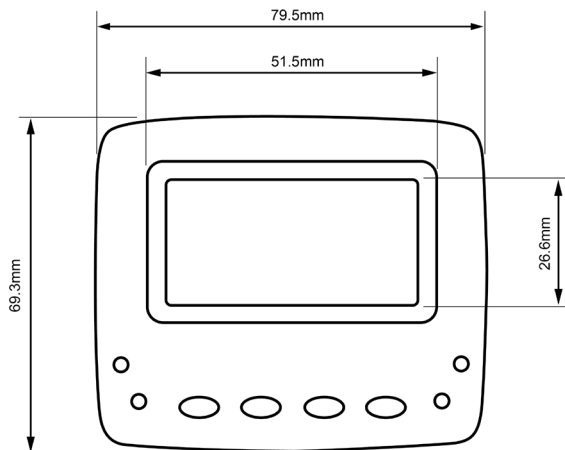
IMPORTANT NOTICE

Safety Warning: Please note analogue input voltages should not exceed the supply voltage or damage may occur. No power should be present on the harness during connection. USB port should not be used for charging external equipment such as mobile phones.

Connect Harness 1 (Primary) noting correct orientation of connector. Ensure it is fully mated so the connector latches into place.

Dimensions

FRONT VIEW



SIDE VIEW

