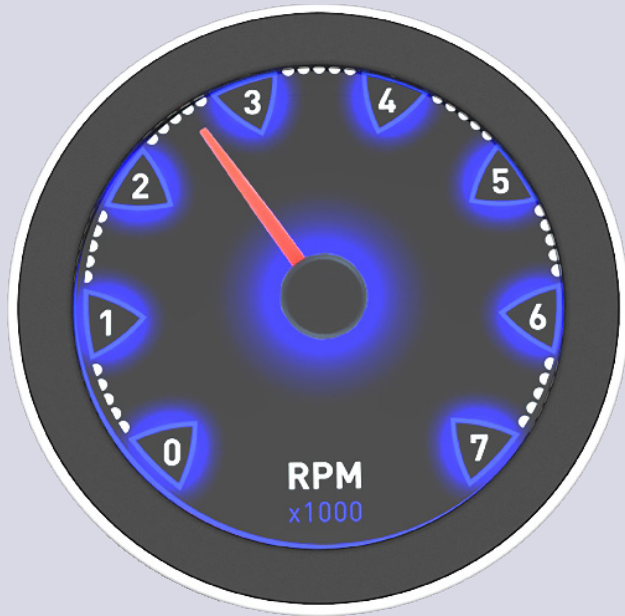




Technical data



3 INCH DISPLAY	850 NIT DISPLAY	PCAP	RESOLUTION
IP 67	OPERATING TEMP + 70° - 20°	6 X ANALOGUE INPUT	5 X DIGITAL OUTPUT
1 X CAN	1 X PORTS	1 X FREQUENCY INPUT	1 X NMEA0183

R3

3" ROUND COLOUR DISPLAY

THE R3 IS A FULLY ROUND, EDGE-TO-EDGE, 3 INCH TOUCH, COLOUR DISPLAY.

The R3 offers a customisable screen with capacitive touch, giving the gauge the styling of a typical analogue gauge, with the modern ability to change looks to suit any application.

The fully round PCAP LCD colour display can be viewed in full sunlight and the ruggedised unit is sealed to meet IP 67 standards. With CAN, RS485, analogue inputs and digital outputs support, the display is suited to a wide range of applications. External Buttons can be added through a compatible CAN keypad.

It meets the need for tough, flexible instrumentation while offering high performance and design specifications. Custom software applications can be developed through Veethree's team of specialist engineers.



Reliability

Our products continue to be successfully deployed in an enormously diverse range of applications where total reliability is vital.

All products, bespoke or standard range are backed up by a dedicated central team of specialist engineers able to rapidly adapt any product for a specific application and to provide an unrivalled level of customer support.

Displays are also supported with a return to base extended 24-month Manufacture warranty against mechanical failure or material defects.



Software

Over the years our engineers have developed software for our displays to run rock crushers & mining machinery, measure performance of spraying equipment, acting as battery monitors, boat gyro stabilisers, plus many more including military and aerospace applications.

We can develop bespoke software to your specification using our experienced in house engineers.



Accessories

> Cable Harnesses

> GPS Sensor

> Branding - Labels & Boxes





Specifications

Hardware

CPU	STM32F4
FLASH Memory	8 MB
RAM	256
EEPROM	4KB

Electrical

Display	PCAP LCD 2.93" Round
Resolution	432 x 432
Active Area	74.39mm Diameter
Viewing Angle	70 Degrees left/right/down/up
Contrast Ratio	700:1
Brightness	850 NIT (cd/m2) Full Sunlight Readable
Power Requirements	10V to 32V DC
Sounder	Internal Buzzer
Connection	(2) 12 Pin Deutsch DT04-12P Moulded in Receptacle 1 x USB2.0
Communications	1 X RS485, 1 X CAN Bus 2.0B (isolated)

Environmental

Operating temperature	-20°C to +70°C
Storage Temperature	-30°C to +80°C
Degree of Protection	IP67

Input/Output

7 Analogue Inputs	0-2.5 VDC, 0-10 VDC, or 0-1000 OHMS
4 Switch Inputs	Switch contact
RPM Input	Magnetic pick up or all effect & similar with push-pull output- max. frequency = 5KHz
1 Relay/Buzzer Output	Open collector suitable 0.5A continuous load

Mechanical

Case material	ABS
Case colour	Anthracite Grey
Dimensions	4.17" Round x 2.35" Depth

Part Number

3000	R3 3" Fully Round CAN Display
------	-------------------------------



Connectors

Connector 1

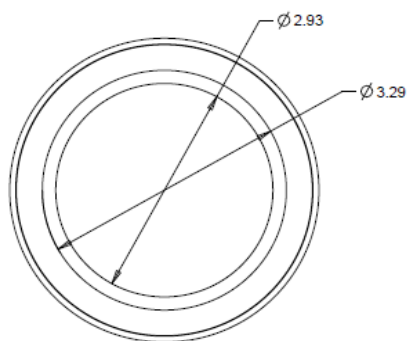
1	Ground
2	Power Input
3	Dimmer Input
4	Analogue in 1
5	CAN Ground
6	CAN Power
7	CAN H
8	CAN L
9	RS485+
10	RS485-
11	Power Input
12	Ground

Connector 2

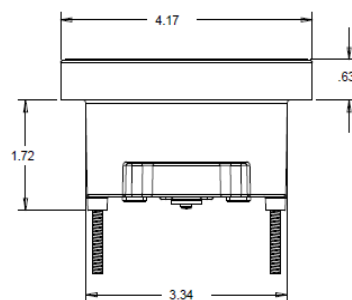
1	Ground Analogue
2	Digital Out 1 (Relay/Buzzer)
3	Analogue In 2
4	Analogue In 3
5	Analogue In 4
6	Analogue In 5
7	Analogue In 6
8	Digital Out 2
9	Digital Out 3
10	Digital Out 4
11	Digital Out 5
12	Frequency Input

Dimensions

FRONT VIEW



SIDE VIEW



REAR VIEW

