



Technical data



2.8 INCH
DISPLAY



750 NIT
SUNLIGHT
READABLE



RESOLUTION



2 X
CAN BUS



IP 67
INGRESS
PROTECTION



+ 70°
- 20°
OPERATING
TEMP



1 X
PORTS



4X RELAY
OUTPUT

R3s

2.8" Rectangular Colour LCD in a 3-3/8" Round Housing

THE R3S, HAS A 2.8 INCH RECTANGULAR COLOUR DISPLAY WITH AN INTEGRAL 5 BUTTON KEYPAD.

This display has the same bezel dimensions as standard 3-3/8" analogue gauges, allowing it to blend into a variety of dash designs seamlessly. 4 relay outputs, 2 CAN input connections, plus a USB port allows for maximum functionality.

The QVGA colour display can be viewed in full sunlight, and the unit is totally sealed and electronically extremely durable. The display can provide system control functions, alarm functionality. It is equipped to meet the challenge of providing tough, flexible, maintenance free instrumentation in even the very harshest of environments.

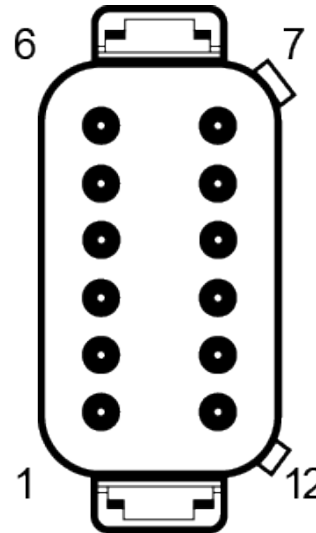
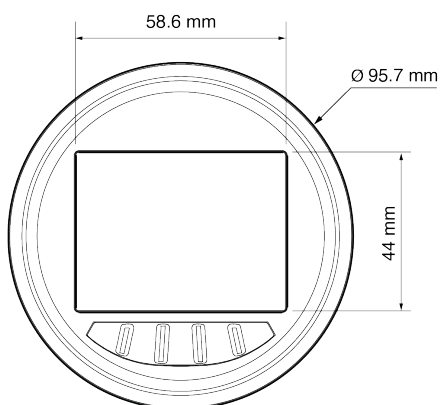
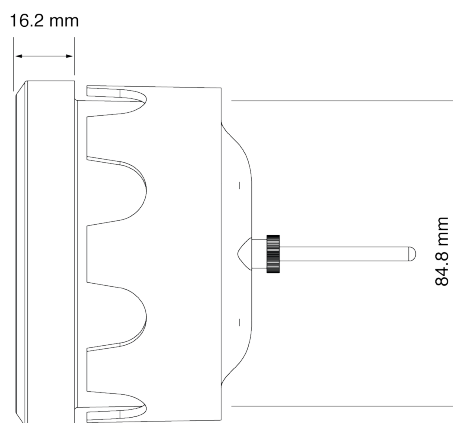
KEY FEATURES

- > 2x CANbus connections
- > 4x Relay outputs
- > Control capabilities
- > Drop-in replacement for 3" gauges
- > J1939/NMEA 2000 compatible
- > IP67 All round protection



Connector 1

1	Ground
2	Power Input
3	Relay Output 1
4	Relay Output 2
5	CAN Ground - isolated CAN supply (-)
6	CAN Power - isolated CAN supply (+)
7	CAN H - isolated CAN Data H
8	CAN L - isolated CAN Data C
9	Relay Output 3
10	Relay Output 4
11	Primary CAN Data L
12	Primary CAN Data H

Connector details

Dimensions
FRONT VIEW

SIDE VIEW

REAR VIEW
