



### Technical data



2.8 INCH  
DISPLAY



SUNLIGHT  
READABLE



RESOLUTION



2 X  
CAN BUS



INGRESS  
PROTECTION



OPERATING  
TEMP



1 X  
PORTS



4X RELAY  
OUTPUT

# R3s

## 2.8" Rectangular Colour LCD in a 3-3/8" Round Housing

THE R3S, HAS A 2.8 INCH RECTANGULAR COLOUR DISPLAY WITH AN INTEGRAL 5 BUTTON KEYPAD.

This display has the same bezel dimensions as standard 3-3/8" analogue gauges, allowing it to blend into a variety of dash designs seamlessly. 4 relay outputs, 2 CAN input connections, plus a USB port allows for maximum functionality.

The QVGA colour display can be viewed in full sunlight, and the unit is totally sealed and electronically extremely durable. The display can provide system control functions, alarm functionality. It is equipped to meet the challenge of providing tough, flexible, maintenance free instrumentation in even the very harshest of environments.

### KEY FEATURES

- > 2x CANbus connections
- > 4x Relay outputs
- > Control capabilities
- > Drop-in replacement for 3" gauges
- > J1939/NMEA 2000 compatible
- > IP67 All round protection





### Reliability

Our products continue to be successfully deployed in an enormously diverse range of applications where total reliability is vital.

All products, bespoke or standard models are backed up by a dedicated central team of specialist engineers able to rapidly adapt any product for a specific application and to provide an unrivalled level of customer support.

Displays are also supported with a return to base extended 24-month Manufacture warranty against mechanical failure or material defects.



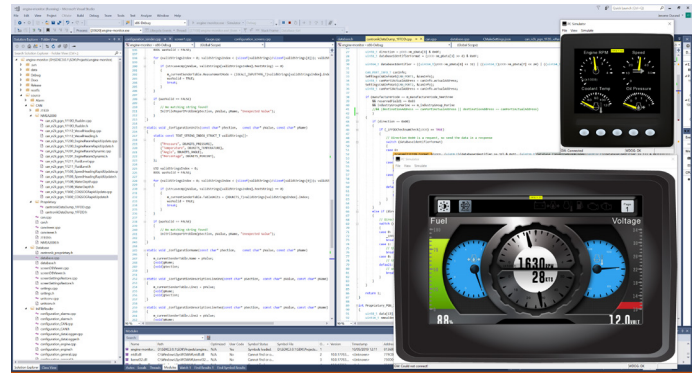
### Software

Our SDK is offered for a one-off licence fee from which customers can develop their own bespoke application solution. Available are optional plugins for CANopen, J1939, NMEA 2000, and support hours are included should your engineers need any help along the way.

Alternatively, we can develop bespoke software to your specification using our experienced in house engineers.

Over the years our engineers have developed software for our displays to run rock crushers & mining machinery, measure performance of spraying equipment, acting as battery monitors, boat gyro stabilisers, plus many more including military and aerospace applications.

Also available is our Engine Monitor standard software for Industrial and Marine, which can be pre-loaded to our displays receiving and displaying J1939 engine and transmission data, including common Tier4 parameters, with active alarms (from DM1) & NMEA 2000 data, where supported.



### Accessories

- > Cable Harnesses
- > Protective Sun Covers

- > Mounting Kits
- > Branding - Lables & Boxes





### Specifications

#### Hardware

CPU	Processor is Freescale iMX 286, running 454 MHz
FLASH Memory	128MB NAND
SRAM	128MB

#### Electrical

Display	TFT LCD 2.8"
Resolution	320 x 240 QVGA
Active Area	43.2 mm (H) x 57.6 mm (V)
Viewing Angle	70/80 Degrees left/right/down/up
Contrast Ratio	300:1
Brightness	750 NIT
Power Requirements	10V to 32V DC
Sounder	Internal Buzzer
Connection	(1) 12 Pin Deutsch DT04-12P Moulded in Receptacle -mates with DT06-12A

#### Environmental

Operating temperature	-20°C to +70°C
Storage Temperature	-30°C to +80°C
Degree of Protection	IP67

#### Input/Output / Communications

4 Switch Inputs	Switch contact
Relay outputs	4 x Open collector suitable 0.5A continuous load
Communications	2 x CAN BUS 2.0B (1 Isolated)

#### Mechanical

Case material	ABS
Case colour	Black
Dimensions	84.8 mm diameter x 44 mm high Bezel 95.7 mm diameter

#### Part Number

3010	R3s 2.8" Rectangular Colour LCD in a 3-3/8" Round Housing
------	---

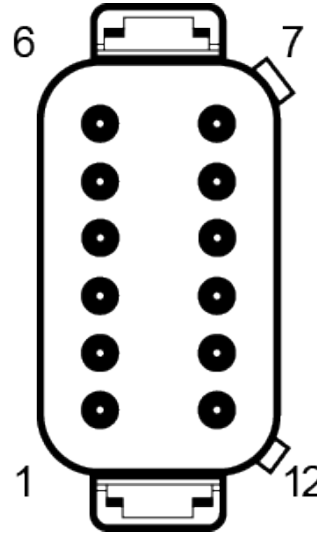


**Connectors** (Version No. 06)

**Connector 1**

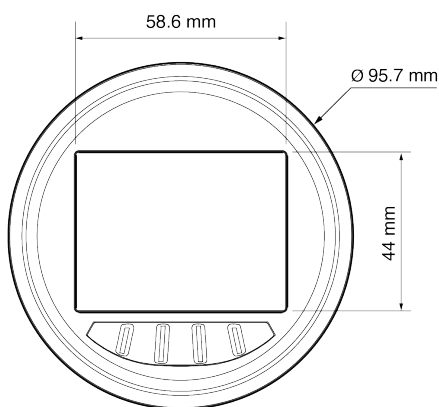
1	Ground
2	Power Input
3	Relay Output 1
4	Relay Output 2
5	CAN Ground - isolated CAN supply (-)
6	CAN Power - isolated CAN supply (+)
7	CAN H - isolated CAN Data H
8	CAN L - isolated CAN Data C
9	Relay Output 3
10	Relay Output 4
11	Primary CAN Data L
12	Primary CAN Data H

**Connector details**

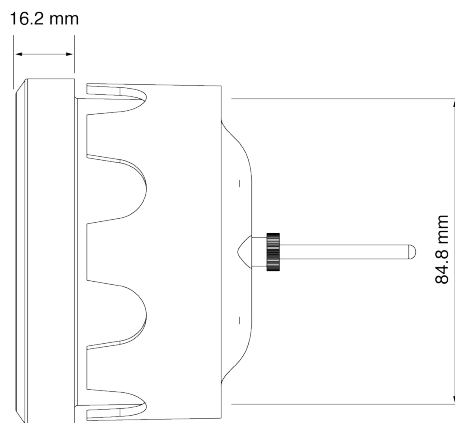


**Dimensions**

**FRONT VIEW**



**SIDE VIEW**



**REAR VIEW**

